



●Type A Plug

SHIN NAN CASTING FACTORY CO., LTD.

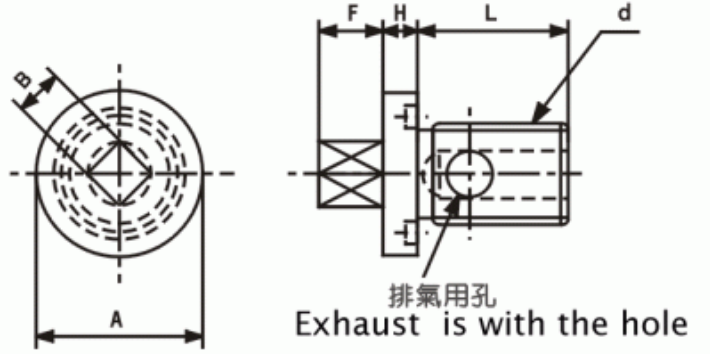
SHIN NAN CASTING

SHIN NAN CASTING

SHIN NAN CASTING

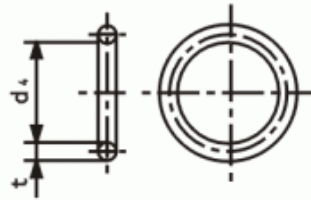
SHIN NAN CASTING

SHIN NAN CASTING

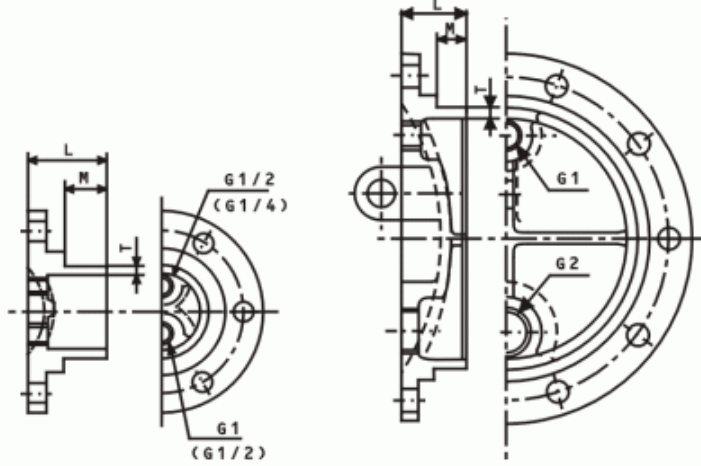


排氣用孔
Exhaust is with the hole

■排氣用螺栓 Bolt for exhausting
(CNS 3270-403)



■封環 Seal ring
(CNS 10774-SBR IA · 70)



■ DN 75~250mm ■ DN 300~350mm

Unit: mm

Unit: mm

Nominal size	Thickness	Dimensions		Weight (kg)
		M	L	
75	8.5	40	77	5.05
100	8.5	40	78	6.94
150	9.0	40	79	10.50
200	11.0	40	80	15.40
250	12.0	40	81	21.10
300	12.5	40	82	29.20
350	13.0	65	108	41.20

Thread Nom.	Dimensions					Seal ring	
	d	A	B	F	H	L	t
G 1/4	35	20	20	10	40	5.0	19
G 1/2	40	20	20	10	50	5.0	21
G 1	55	25	25	15	60	5.0	35
G 2	80	25	25	15	80	5.7	60

Note: 1. The water head drop (max.) of the plugs is 75m.

2. The dimensions in the brackets show the situation of DN 75~150mm.

3. The sign of the G means the CNS 494, and the plugs must have a bolt for exhausting.

SHIN NAN CASTING FACTORY CO., LTD.

SHIN NAN CASTING FACTORY CO., LTD.

SHIN NAN CASTING FACTORY CO., LTD.